

# Emergency Stop and Safety Gate Modules

## NA1/3-D, NA1/3-D/230

CARLO GAVAZZI



- Safety Category 4 according to EN 954-1
- Category 0 Emergency Stop
- 3 NO safety outputs
- 24 VAC / VDC, 110 or 230 VAC power supply
- single/dual channel
- automatic or manual reset
- self monitoring
- Failure diagnosis by LEDs
- Approvals:



Distributed by  
**General Safety Company Ltd.**  
(416) 645-0242

### Product Description

Emergency Stop and Safety Gate modules according to EN 60204-1, EN 292-1/-2, EN 418 and EN 1088. This family of safety module in Safety Category 4,

includes 24 Vac/Vdc, 110 or 230 Vac. Every model is characterized by dual channel input and safety output contacts with force guided relay outputs.

### Ordering Key

**NA1/3-D/230**

Case \_\_\_\_\_  
Application \_\_\_\_\_  
Controlled Devices \_\_\_\_\_  
Safety Outputs \_\_\_\_\_  
Safety Category \_\_\_\_\_  
Power Supply \_\_\_\_\_

### Type Selection

Power supply	References
24 VAC/VDC	NA1/3-D
110 VAC	NA1/3-D/110
230 VAC	NA1/3-D/230

### Electrical Specifications

Power supply	NA1/3-D	NA1/3-D/110	NA1/3-D 230
Power supply	24 Vac/dc ± 10%	110 Vac ± 10%	230 Vac ± 10%
Power consumption	3 VA / 3 W		
Input current/voltage	0.9 to 1.1 V		
Safety outputs	3 NO		
Auxiliary outputs	1 NC		

Switching voltage / current / capability	NA1/3-D	NA1/3-D/110	NA1/3-D 230
Switching voltage / current / capability	24 Vdc / 5A	110 Vac / 5A	230 Vac / 5A
Contact fuse protection	5 A fast or 4 A slow		
Insulation voltage	Pollution degree: 2. Overvoltage Category: 3 / 250 V Basis insulation: Overvoltage Category: 3 / 250 V		

### Time Specifications

Delay on energisation	-
Delay on de-energisation	< 30 ms
Channel simultaneity	∞

### Environmental Specifications

Operating temperature	-25°C to + 55°C
Storage temperature	-25°C to + 65°C

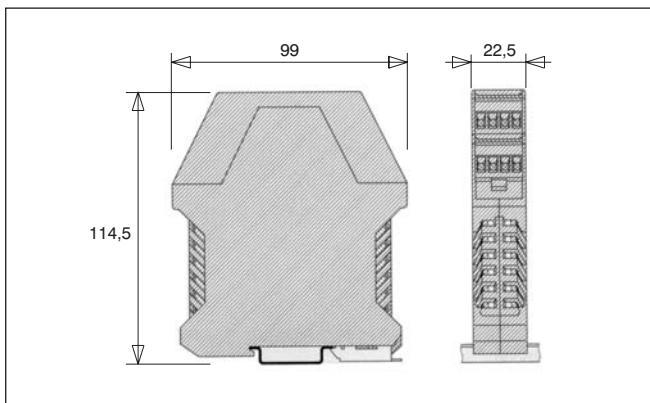
### Mechanical Specifications

Protection degree terminals	IP 20
Protection degree housing	IP 40
Housing material	Polyamid PA6.6
Housing type	22.5 mm housing models
Mounting	DIN rail

Max cross section of external conductors	2.5 mm <sup>2</sup> rigid wire 2.5 mm <sup>2</sup> flexible wire
Dimensions (H x W x D)	22.5 x 114.5 x 99 mm
Weight	NA1/3-D 170 g NA1/3-D/110 238 g NA1/3-D 230 238 g

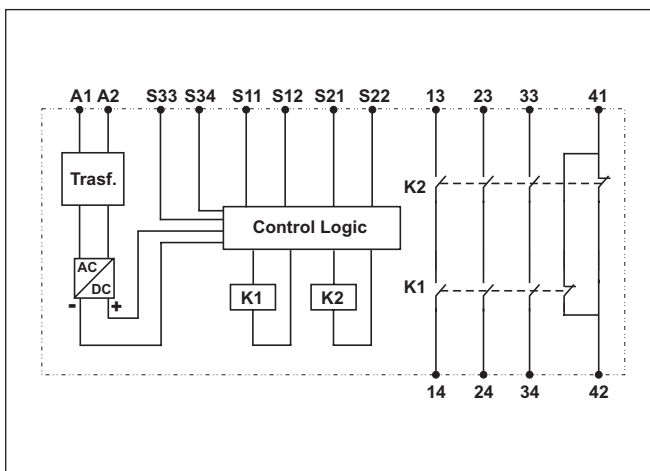


### Dimensions

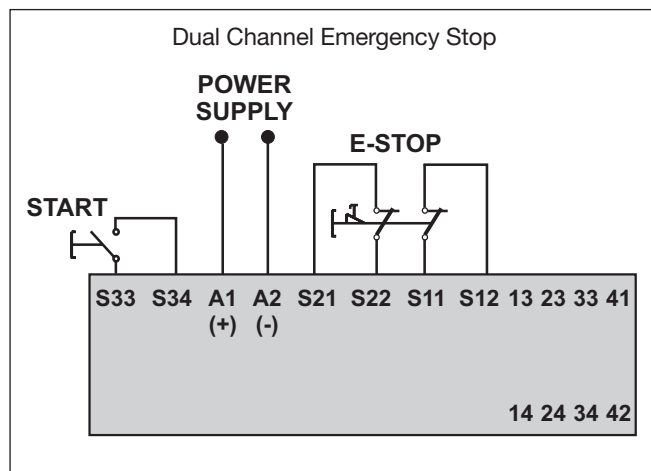


Distributed by  
**General Safety Company Ltd.**  
 (416) 645-0242

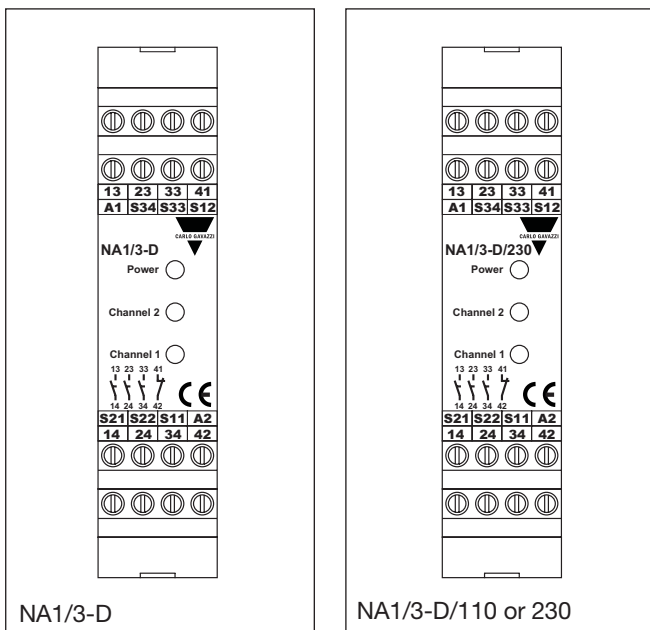
### Wiring Diagrams



### Application



### Connection Sample



### Connections

Terminal Function	Connection
A1	+24 Vdc or AC supply
A2	GND or AC supply
S11-S12	First input channel (E-STOP or Safety Switch Channel 1)
S21-S22	Second input channel (E-STOP or Safety Switch Channel 2)
S33-S34	START (automatic o manual)
13-14	First safety output (N.O.)
23-24	Second safety output (N.O.)
33-34	Third safety output (N.O.)
41-42	Auxiliary output (N.C.)